

**TURBO  
CHARGER  
POWER  
SOLUTIONS**

# MAN TCA



MAN TCA turbochargers are suitable for four-stroke and two-stroke gas, diesel and dual-fuel engines in applications ranging from 3 MW up to 30 MW output per turbocharger.

Using fewer parts than any other generation of MAN axial turbochargers has reduced maintenance and service times, ensuring lower lifecycle costs.

## Applications

**MARINE PROPULSION**

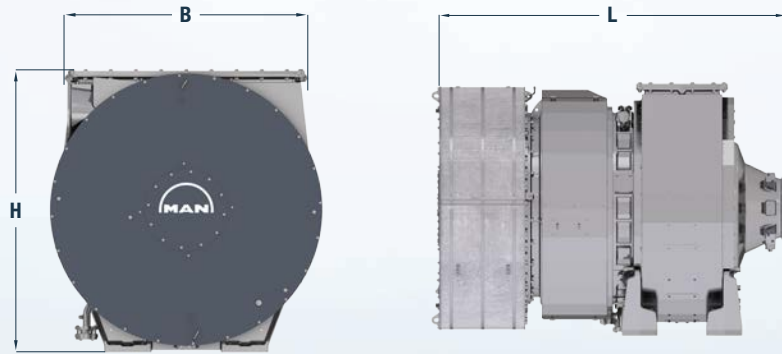
**POWER GENERATION**

Engineering the Future – since 1758.

**MAN Diesel & Turbo**



# MAN TCA



## Dimensions

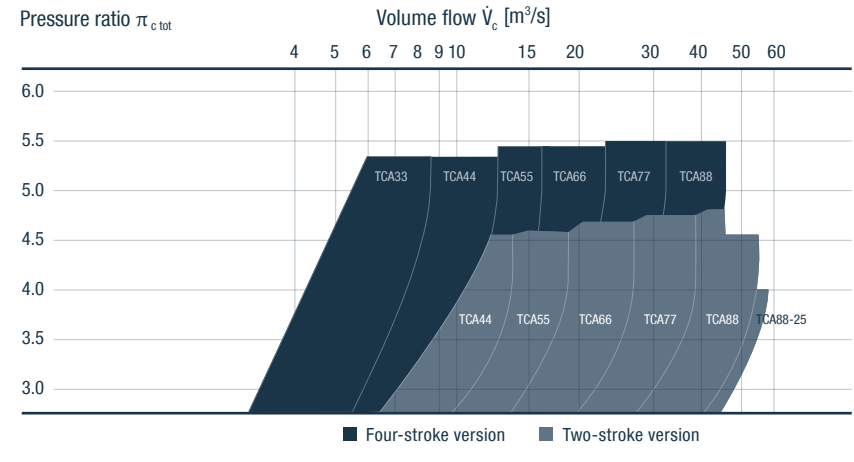
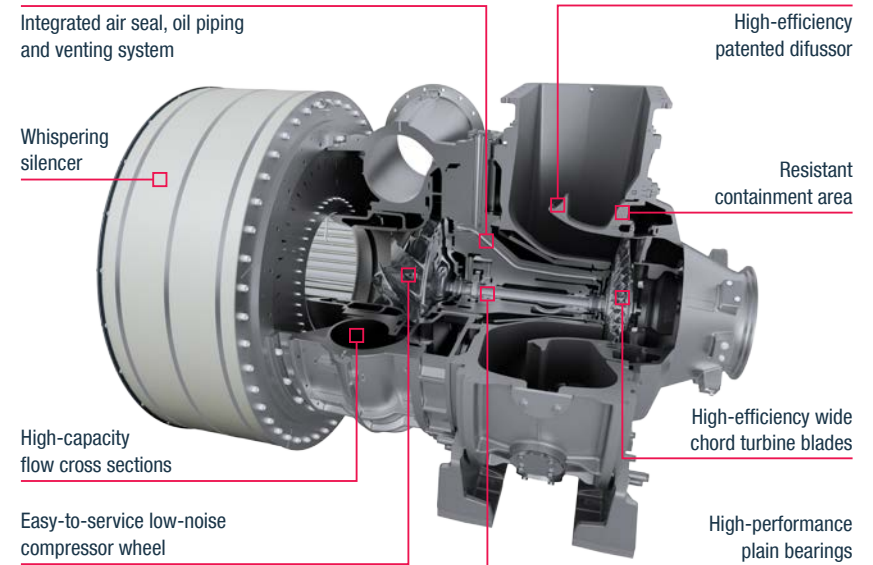
Type	L in mm	B in mm	H in mm	Weight in kg
MAN TCA33	1,558	802	1,021 <sup>1)</sup>	1,372
MAN TCA44	2,194 <sup>2)</sup>	1,054	1,614	2,078
MAN TCA55	2,167	1,206	1,825	3,201
MAN TCA66	2,360	1,433	2,094	5,308
MAN TCA77	2,782	1,694	2,371	8,325
MAN TCA88	3,316	2,012	2,734	13,410

<sup>1)</sup> Height without gravitation tank, all other heights including gravitation tank | <sup>2)</sup> Gas Admission Casing 90°  
All weights and dimensions are for guidance (project-specific requirements can lead to deviating values). More information available upon request.

Type	Supercharged Engine Output		Max. Permissible
	Two-stroke [kW]	Four-stroke [kW]	Speed [rpm]
MAN TCA33	-	5,400	27,800
MAN TCA44	7,000	7,900	22,700
MAN TCA55	9,600	10,400	20,000
MAN TCA66	14,000	14,800	16,900
MAN TCA77	20,000	21,000	14,200
MAN TCA88	30,000	30,000	12,000

Specific air consumption (l/e)      7.0 kg/kWh      6.5 kg/kWh

MAN TCA turbochargers are high-performance solutions characterized by ease of maintenance and long overhaul intervals. MAN TCA turbochargers are compliant with IMO Tier II and III and are suitable for all liquid fuels and gases.



MAN Diesel & Turbo, 86224 Augsburg, Germany  
Phone: +49 821 322-0, Fax: +49 821 322 -3382

turbochargers@mandieselturbo.com | www.turbocharger.man.eu